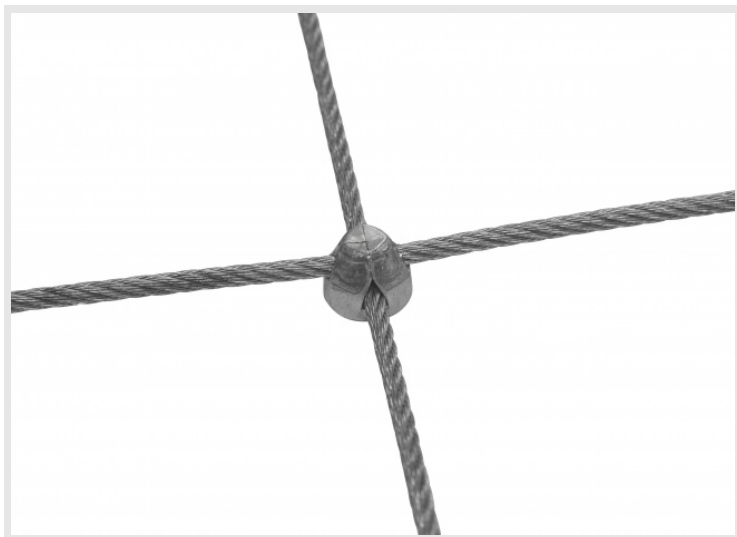


Product Data Sheet Item No. 4725-050/100

Custom-made Steel Wire Net (by the m²)

Schutznetze24 GmbH
Weyerberg 5, DE-35614 Aßlar-Berghausen
Phone: +49 (0) 6443 - 436 96 40
Mail: office@safetynet365.com
Web: www.safetynet365.com



TECHNICAL DATA

Material	stainless steel 1.4401, clamps made of stainless steel 1.4305
Material Diameter	Ø 2.5 mm
Mesh Size	50 x 100 mm
Pose of Meshs	rectangular
Mesh Connection	clamp-connection with four-wire connector
Rope Construction	7 x 7
Edge Design	loops
Breaking Force	minimum breaking force of rope: 3.9 kN
Slip Resistance of Wire Connectors	1.7 kN
Continuous Operating Temperature	-40 to +200 °C
Weather-Resistance	very good
Electrical Characteristics	electrically conducting
Customs Tariff No.	73129000
Area Density	1600 g/m ²