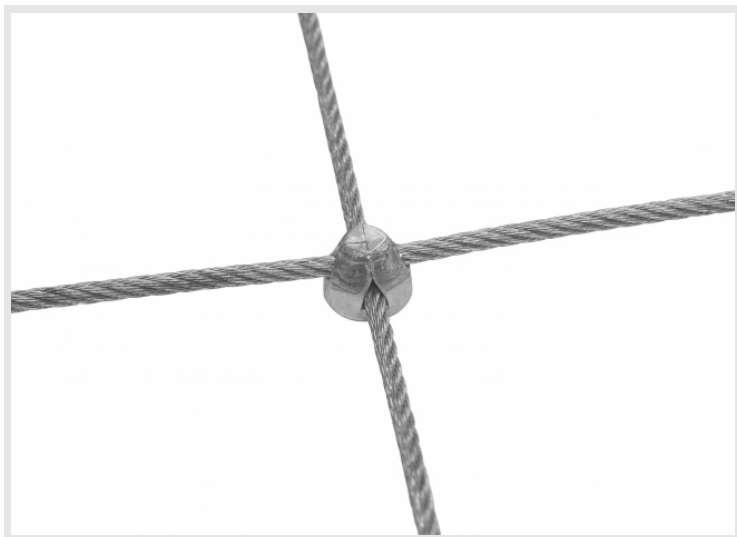


Product Data Sheet Item No. 4625-050/200

Custom-made Steel Wire Net (by the m²)

Schutznetze24 GmbH
Weyerberg 5, DE-35614 Aßlar-Berghausen
Phone: +49 (0) 6443 - 436 96 40
Mail: office@safetynet365.com
Web: www.safetynet365.com



TECHNICAL DATA

| | |
|---|---|
| Material | steel, galvanised, clamps made of aluminium |
| Material Diameter | Ø 2.5 mm |
| Mesh Size | 50 x 200 mm |
| Pose of Meshs | rectangular |
| Mesh Connection | clamp-connection with four-wire connector |
| Rope Construction | 7 x 7 |
| Edge Design | loops |
| Breaking Force | minimum breaking force of rope: 4.8 kN |
| Slip Resistance of Wire Connectors | 1.1 kN |
| Continuous Operating Temperature | -40 to +150 °C |
| Weather-Resistance | very good |
| Electrical Characteristics | electrically conducting |
| Customs Tariff No. | 73129000 |
| Area Density | 500 g/m ² |